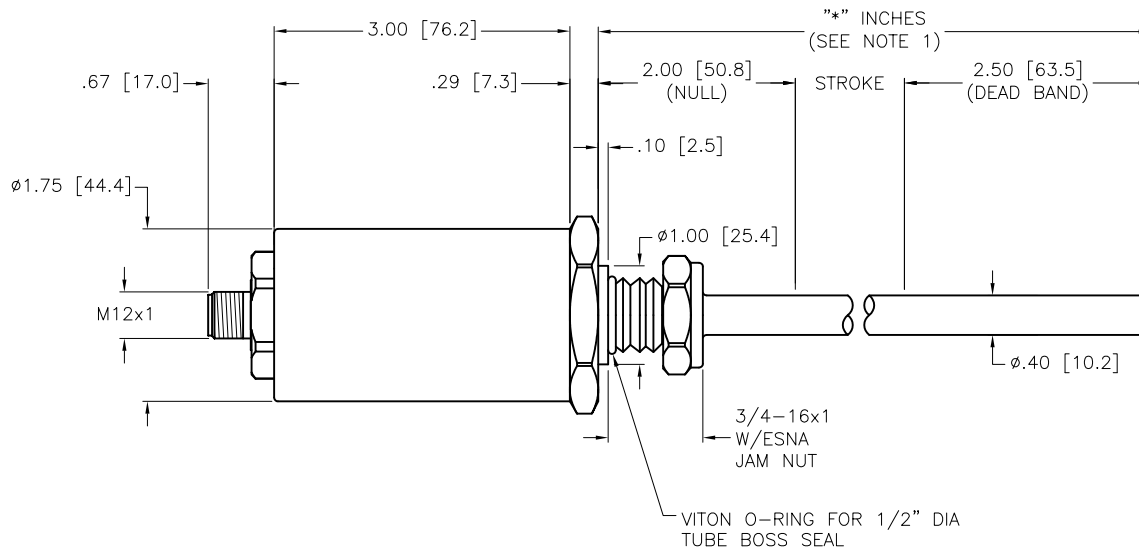
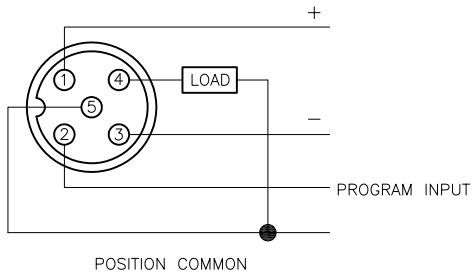


WIRING DIAGRAM



SOURCE DRAWING - FOR REFERENCE ONLY

NOTES:

1. "*" INDICATES LENGTH IN INCHES EQUAL TO NULL + STROKE + DEAD ZONE. CONTACT TURCK TO ORDER SPECIFIC STROKE LENGTHS.

RELATED DOCUMENTS 1. 2. 3. 4.	3RD ANGLE PROJECTION	THIS DRAWING IS PROPERTY OF TURCK INC. USE OF THIS DOCUMENT WITHOUT WRITTEN PERMISSION IS PROHIBITED.			TURCK INC High Technology Sensors and Automation Controls 3000 CAMPUS DRIVE MINNEAPOLIS, MN 55441 1-800-544-7769 (763) 553-7300 (763) 553-0708 fax turck.com
	TOLERANCES UNLESS OTHERWISE SPECIFIED		DRFT RDS	DATE 03/17/05	
MATERIAL	.X ±0.02 .XX ±0.01 .XXX ±0.005 ANGLES ±1°	DSGN JR	SCALE 1=2.0	UNIT OF MEASUREMENT INCH [MILLIMETER]	IDENTIFICATION NO.
FINISH	ALL MILLIMETER DIMENSIONS ARE REFERENCE ONLY	DO NOT SCALE THIS DRAWING		FILE: 777001145	REV A
A	DRAWING RELEASE	RDS	03/17/05		
REV	DESCRIPTION	BY	DATE	ECO NO.	SHEET 1 OF 1